

### Electric Butterfly Valves

PN16/235PSI/Class125

220V/ 380V • Multi-stage Aluminum Alloy Housing  
 Asynchronous Motor • Precision Gear  
 Moisture-proof Heating Resistor • Epoxy Resin Coating  
 90° Rotation • IP67 Protection  
 Dual-Flanged Style, Flange Dimension EN1092-2, ANSI B16.1 Class 125



**HB970/S-EH/ RH**  
 14" - 28"

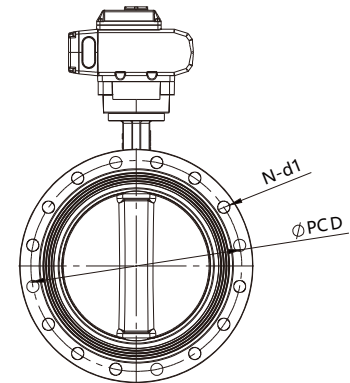
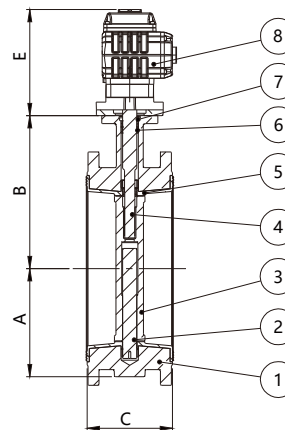
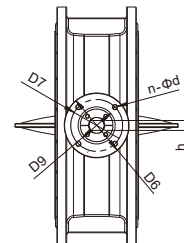
Sealing Performance	
EPDM	-20°C- 120°C
NBR	-10°C- 80°C
VITON	-20°C- 150°C

Hydraulic Pressure Test	
Body	2.4Mpa/24Bar
Seat	1.76Mpa/17.6Bar

#### Materials List

No	Part	Specification	BS EN	ASTM
1	Body	Ductile Iron	BSEN 1563	A536 65-45-12
2	Bottom Stem	Stainless Steel	BSEN 10088-1	A582 420
3	Disc	Ductile Iron	BSEN 1563	A536 65-45-12
		Stainless Steel	BS970 304S15	CF8
		Aluminum Bronze	1400AB2	B148 Ay 954
4	Upper Stem	Stainless Steel	BSEN 10088-1	A582 420
5	Seat	EPDM	EPDM	EPDM
		NBR	NBR	NBR
		VITON	VITON	VITON
6	Bushing	Composite Material	PTFE&Bronze	PTFE&Bronze
7	Retaining Cap	Steel	BSEN 10087	A307
8	Electric Actuators	Other		

\* Figure number - EH for ON/OFF control, - RH for regulating control,  
 4~20mA or 0~10V, Please specify when ordering.



#### Dimensions

mm	350	400	450	500	600	700
In	14	16	18	20	24	28
A	270	305	330	350	420	517
B	330	365	400	445	505	616
C	190	216	222	229	267	292
E	158	158	158	158	-	-
PCD	470	525	585	650	770	840
N-d1	16-28	16-31	20-31	20-34	20-37	24-37
h	24	27	27	32	36	Key18*2
D6	125	175	175	175	210	300
D7	102	140	140	140	165	254
D9	70	100	100	100	130	130
n-Φd	4-12	4-18	4-18	4-18	4-22	8-18
ISO5211	F10	F14	F14	F14	F16	F25

Note: Steam services are not recommended.